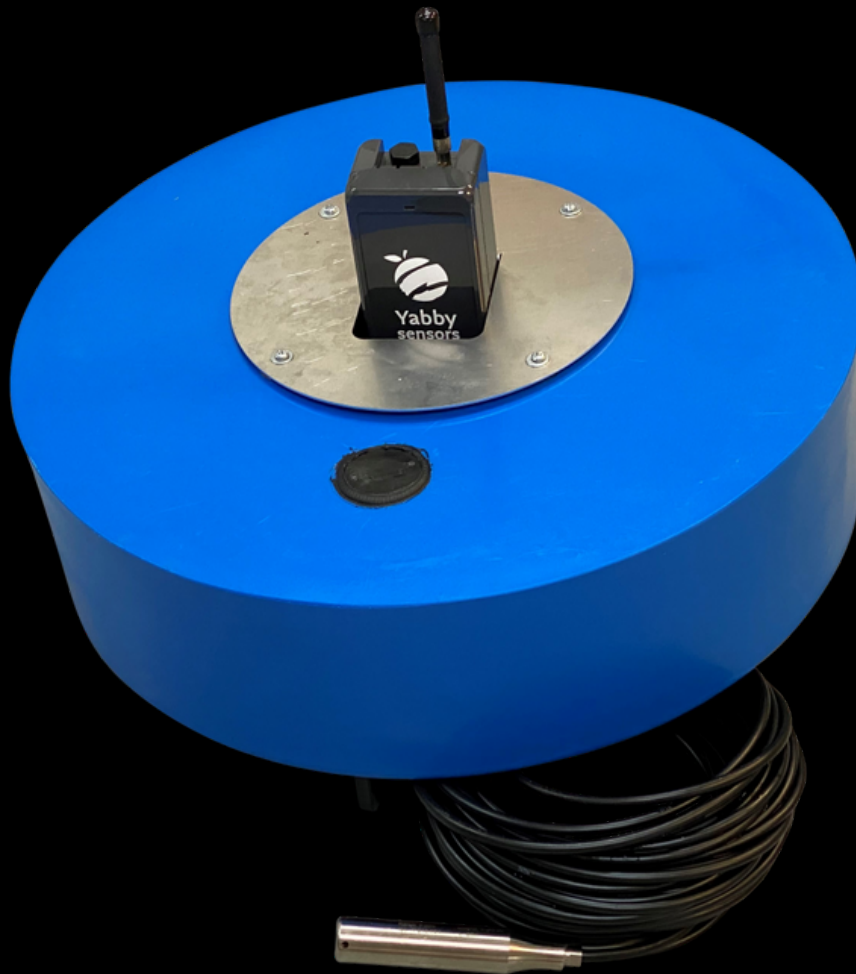




Yabby
sensors

Floating Level Sensor Cellular/NBLoT

Monitor levels from the deepest location in your storage



theyabby.com.au

Overview

CELLULAR 4G LTE-M / NB-IOT

Feature-rich battery powered data logger featuring an impressive array of inputs/ outputs and sensor interfaces



Extra inputs available to add a rain gauge, water level, temperature, humidity sensors, etc



Precision pressure transducer for accurate water level monitoring



Weatherproof and ultra-rugged IP68 housing with compact and ergonomic design



Flexible power options - 3 x AA batteries with up to 7 years battery life



Built-in battery meter for remote battery life monitoring and remaining life predictions



High-precision GPS



www.theyabby.com.au

SMARTS

Configurable Alerts	Configure email and sms alerts based on levels remotely from our cloud-based device management system.
Adjustable Sampling Rate	Adjustable sampling rate from once per day to every 30 minutes (Default = 6 Hours)
Tracking Mode	Switch to Tracking Mode in the case of theft or loss

TECHNICAL SPECIFICATIONS

Power

Power Supply	Built-in replaceable 3 x AA Lithium Batteries Optional external 5 - 16V DC power
Sleep Current	<10uA average current in lowest power configuration
Battery Life	Up to 7 years of battery life at once daily heartbeats /1-year battery life at once hourly heartbeats
Supported Battery Types	Lithium (LiFeS ₂) and Lithium Thionyl Chloride (LTC)

Water Level Sensor

Level Accuracy	5m Cable ±1.2cm 10m Cable ±2.5cm 20m Cable ±5.0cm
Resolution	5m Cable ±0.5mm 10m Cable ±1.0mm 20m Cable ±2.0mm
Pressure Reference	Vented Gauge
Compensated Temperature Range	0 ~ +60 °C
Cable Length	5m (up to 50m on request)

Memory

Flash Memory	Store weeks of records if device is out of cellular coverage. Storage capacity for over 10 days of continuous 30-second logging
--------------	---

Physical Specification

Materials	Enclosure - ABS Polycarbonate Plastic Water Level Sensor - Stainless Steel
Dimensions	Enclosure - 151L x 80 W x 60 mm H Water Level Sensor - 110 H x 26.6 mm Diameter Buoy - 550 L x 550 W x 145 mm H
Weight	Sensor box with 5m cable - 3kg Buoy - 4.5 kg
IP Rating	Enclosure - IP68 rated housing Water Level Sensor - IP68
Operating Temperature	-20°C to +60°C. For Operations at extreme temperatures use LTC Batteries

Communication

Radio	NB-IoT/CAT-M1 Internal Antenna
GPS	Constellation Concurrent GPS / GLONASS Internal Antenna 167dBm industry-leading tracking performance
Security	AES-256 Encryption from device to server
Integration	Third-Party Integration Webhook, TCP or HTTPS

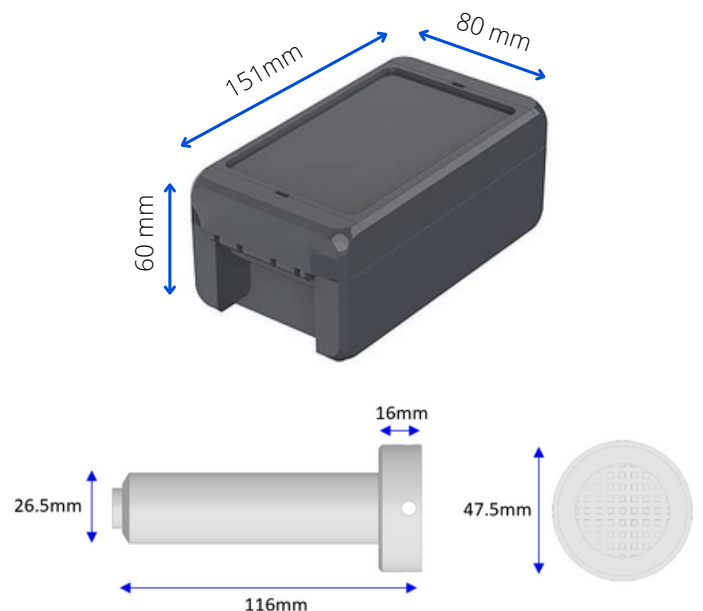
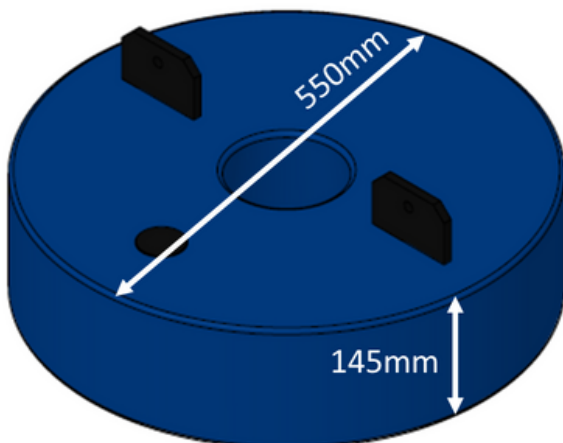
Additional Options

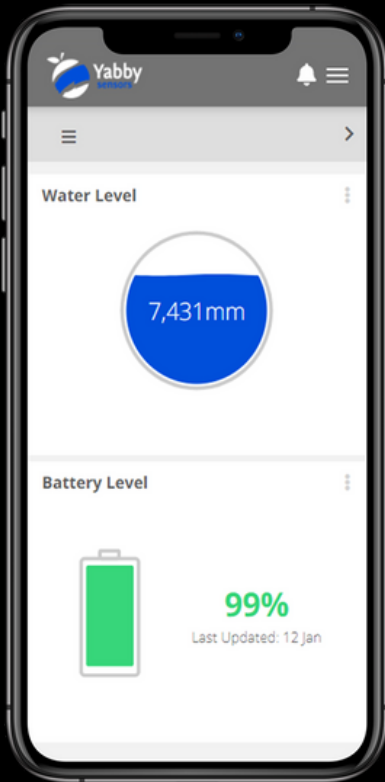
Water Level Sensor, Rain gauge
Temperature & Humidity Sensor

Warranty

12 Months from data of purchase

Dimensions





Yabby Platform

FEATURES



Monitor environmental sensors and device locations and parameters



Configure sample rates, device outputs and variable alerts



Control device outputs such as pumps, valves and gates



Receive SMS or email alerts based on variable thresholds



Download device data as csv files and images

OVERVIEW

Yabby sensors are remotely monitored with our custom cloud based platform. Interrogate volume and level trends, change sampling intervals and set SMS and email alerts. Our platform is flexible and modular meaning we can set it up the way you like from our library of maps, charts, gauges and controls.

OTHER SERVICES

- Integrate other sensors to our platform
- White label the platform with your company branding
- Send your sensor data to third party platforms

